

Stemin Machinefabriek b.v.  
Hanzeweg 3 • 7241 CR Lochem  
P.O. Box 32 • 7240 AA Lochem  
The Netherlands  
T (+) 31 (0) 573 25 20 43  
F (+) 31 (0) 573 25 71 13  
info@stemin.nl • www.stemin.nl



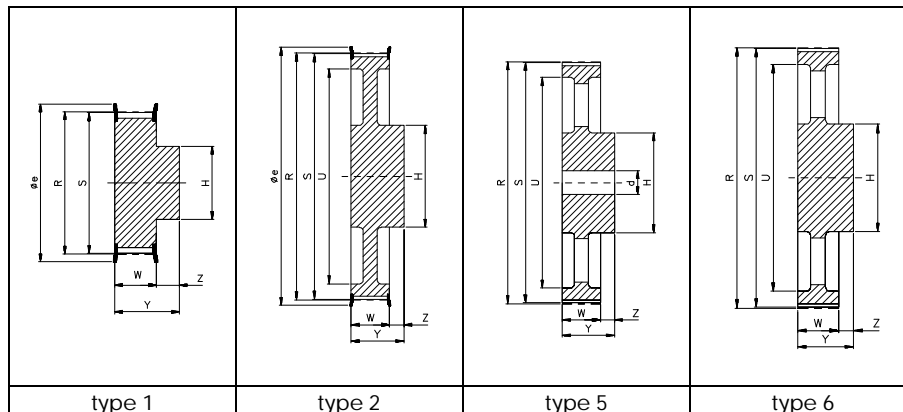
## Timing-belt Pulleys - HTD/Unbored





## Profiel - 8M

## Profile - 8M

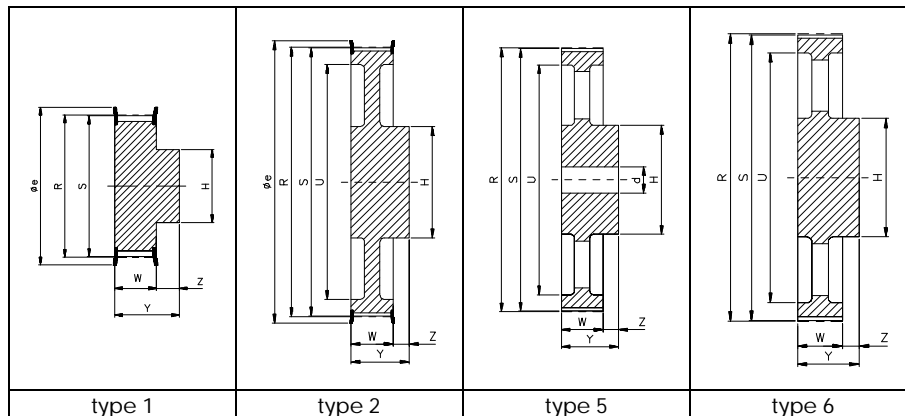


aantal tanden number of teeth	steek pitch	riem-breedte belt width	type	$D_p$ $R$	$S$ $\varnothing$	$U$ $\varnothing$	$e$ $\varnothing$	$W$	$H$ $\varnothing$	$Y$	$Z$	$d$ $\varnothing$	flens flange	materiaal material
		(")		(mm)										
18	8M	20	1	45,84	44,46	-	50	28	32	38	10	-	a	d
20	8M	20	1	50,93	49,56	-	55	28	36	38	10	-	a	d
22	8M	20	1	56,02	54,65	-	62	28	43	38	10	-	a	d
24	8M	20	1	61,12	59,74	-	67	28	49	38	10	-	a	d
26	8M	20	1	66,21	64,84	-	73	28	50	38	10	-	a	d
28	8M	20	1	71,30	69,93	-	77	28	55	38	10	-	a	d
30	8M	20	1	76,39	75,02	-	84	28	60	38	10	-	a	d
32	8M	20	1	81,49	80,12	-	88	28	64	38	10	-	a	d
34	8M	20	1	86,58	85,21	-	94	28	70	38	10	-	a	d
36	8M	20	1	91,67	90,30	-	98	28	75	38	10	-	a	d
38	8M	20	1	96,77	95,39	-	104	28	80	38	10	-	a	d
40	8M	20	1	101,86	100,49	-	108	28	85	38	10	-	a	d
44	8M	20	1	112,05	110,67	-	121	28	96	38	10	-	a	e
48	8M	20	1	122,23	120,86	-	129	28	104	38	10	-	a	e
56	8M	20	2	142,60	141,23	117	149	28	80	38	10	-	a	e
60	8M	20	2	152,79	151,42	127	158	28	80	38	10	-	a	e
64	8M	20	2	162,97	161,60	137	168	28	80	38	10	-	a	e
72	8M	20	2	183,35	181,97	158	191	28	80	38	10	-	a	e
80	8M	20	6	203,72	202,35	179	-	28	90	38	10	-	b	e
84	8M	20	6	213,90	212,53	190	-	28	90	38	10	-	b	e
90	8M	20	6	229,18	227,81	204	-	28	90	38	10	-	b	e
112	8M	20	5	285,21	283,83	260	-	28	90	38	10	19	b	e
144	8M	20	5	366,69	365,32	342	-	28	90	38	10	19	b	e
168	8M	20	5	427,80	426,42	403	-	28	100	38	10	19	b	e
192	8M	20	5	488,92	487,54	465	-	28	100	38	10	19	b	e

a = incl. / with	b = excl. / without	d = staal / steel	e = gietijzer / cast iron
------------------	---------------------	-------------------	---------------------------

## Profiel - 8M

## Profile - 8M

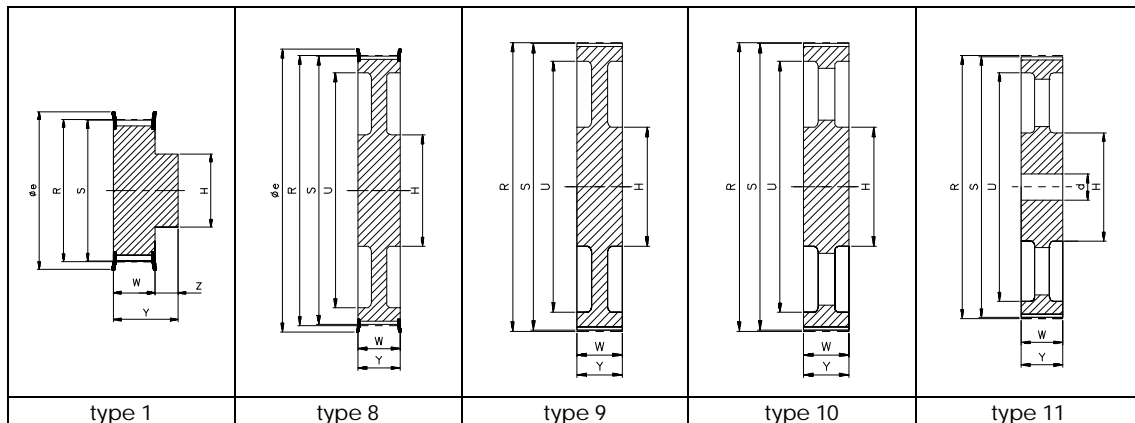


aantal tanden number of teeth	steek pitch	riem-breedte belt width	type	D <sub>p</sub> R Ø	S Ø	U Ø	e Ø	W	H Ø	Y	Z	d Ø	flens flange	materiaal material
		(")		(mm)										
18	8M	30	1	45,84	44,46	-	50	38	32	48	10	-	a	d
20	8M	30	1	50,93	49,56	-	55	38	36	48	10	-	a	d
22	8M	30	1	56,02	54,65	-	62	38	43	48	10	-	a	d
24	8M	30	1	61,12	59,74	-	67	38	49	48	10	-	a	d
26	8M	30	1	66,21	64,84	-	73	38	50	48	10	-	a	d
28	8M	30	1	71,30	69,93	-	77	38	55	48	10	-	a	d
30	8M	30	1	76,39	75,02	-	84	38	60	48	10	-	a	d
32	8M	30	1	81,49	80,12	-	88	38	64	48	10	-	a	d
34	8M	30	1	86,58	85,21	-	94	38	70	48	10	-	a	d
36	8M	30	1	91,67	90,30	-	98	38	75	48	10	-	a	d
38	8M	30	1	96,77	95,39	-	104	38	80	48	10	-	a	d
40	8M	30	1	101,86	100,49	-	108	38	85	48	10	-	a	d
44	8M	30	1	112,05	110,67	-	121	38	96	48	10	-	a	e
48	8M	30	1	122,23	120,86	-	129	38	104	48	10	-	a	e
56	8M	30	2	142,60	141,23	117	149	38	90	48	10	-	a	e
60	8M	30	2	152,79	151,42	127	158	38	90	48	10	-	a	e
64	8M	30	2	162,97	161,60	137	168	38	90	48	10	-	a	e
72	8M	30	2	183,35	181,97	158	191	38	95	48	10	-	a	e
80	8M	30	6	203,72	202,35	179	-	38	100	48	10	-	b	e
84	8M	30	6	213,90	212,53	190	-	38	100	48	10	-	b	e
90	8M	30	6	229,18	227,81	204	-	38	100	48	10	-	b	e
112	8M	30	5	285,21	283,83	260	-	38	100	48	10	19	b	e
144	8M	30	5	366,69	365,32	342	-	38	100	48	10	19	b	e
168	8M	30	5	427,80	426,42	403	-	38	100	48	10	19	b	e
192	8M	30	5	488,92	487,54	465	-	38	100	48	10	19	b	e

a = incl. / with	b = excl. / without	d = staal / steel	e = gietijzer / cast iron
------------------	---------------------	-------------------	---------------------------

Profiel - 8M

Profile - 8M

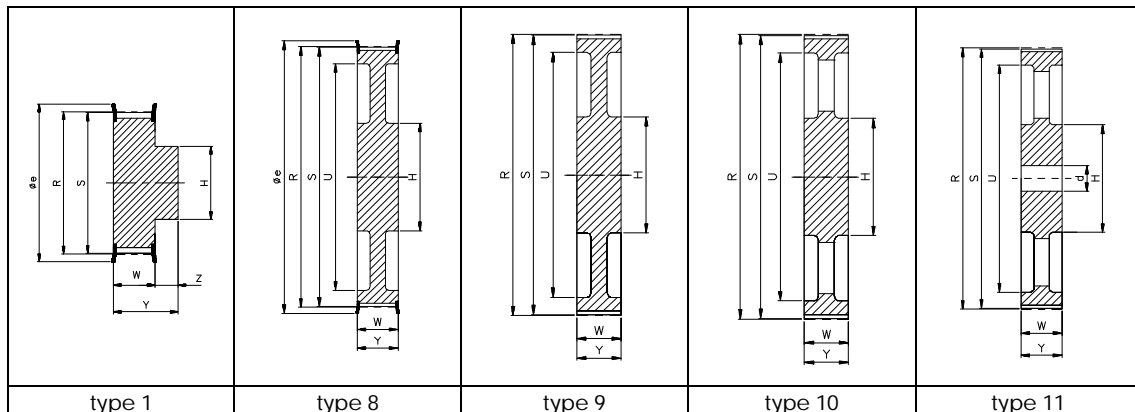


aantal tanden number of teeth	steek pitch	riembreedte belt width	type	D <sub>p</sub> R Ø	S Ø	U Ø	e Ø	W	H Ø	Y	Z	d Ø	flens flange	materiaal material
		(°)		(mm)										
18	8M	50	1	45,84	44,46	-	50	60	32	70	10	-	a	d
20	8M	50	1	50,93	49,56	-	55	60	36	70	10	-	a	d
22	8M	50	1	56,02	54,65	-	62	60	43	70	10	-	a	d
24	8M	50	1	61,12	59,74	-	67	60	49	70	10	-	a	d
26	8M	50	1	66,21	64,84	-	73	60	50	70	10	-	a	d
28	8M	50	1	71,30	69,93	-	77	60	55	70	10	-	a	d
30	8M	50	1	76,39	75,02	-	84	60	60	70	10	-	a	d
32	8M	50	1	81,49	80,12	-	88	60	64	70	10	-	a	d
34	8M	50	1	86,58	85,21	-	94	60	70	70	10	-	a	d
36	8M	50	1	91,67	90,30	-	98	60	75	70	10	-	a	d
38	8M	50	1	96,77	95,39	-	104	60	80	70	10	-	a	d
40	8M	50	1	101,86	100,49	-	108	60	85	70	10	-	a	d
44	8M	50	1	112,05	110,67	-	121	60	96	70	10	-	a	e
48	8M	50	1	122,23	120,86	-	129	60	104	70	10	-	a	e
56	8M	50	8	142,60	141,23	117	149	60	90	60	-	-	a	e
60	8M	50	8	152,79	151,42	127	158	60	100	60	-	-	a	e
64	8M	50	8	162,97	161,60	137	168	60	100	60	-	-	a	e
72	8M	50	8	183,35	181,97	158	191	60	100	60	-	-	a	e
80	8M	50	9	203,72	202,35	179	-	60	110	60	-	-	b	e
84	8M	50	10	213,90	212,53	190	-	60	110	60	-	-	b	e
90	8M	50	10	229,18	227,81	204	-	60	110	60	-	-	b	e
112	8M	50	11	285,21	283,83	260	-	60	110	60	-	19	b	e
144	8M	50	11	366,69	365,32	342	-	60	110	60	-	19	b	e
168	8M	50	11	427,80	426,42	403	-	60	120	60	-	19	b	e
192	8M	50	11	488,92	487,54	465	-	60	130	60	-	19	b	e

a = incl. / with	b = excl. / without	d = staal / steel	e = gietijzer / cast iron
------------------	---------------------	-------------------	---------------------------

## Profiel - 8M

## Profile - 8M

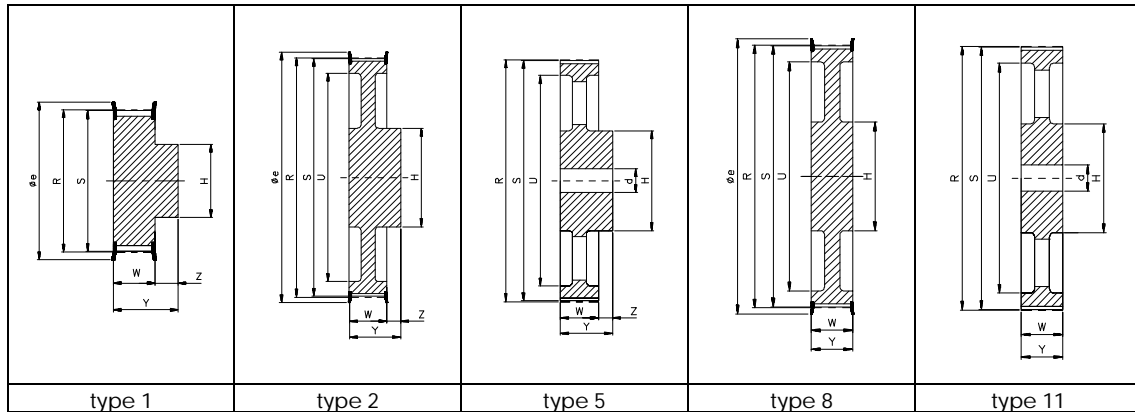


aantal tanden number of teeth	steek pitch	riem-breedte belt width	type	D <sub>p</sub> R Ø	S Ø	U Ø	e Ø	W	H Ø	Y	Z	d Ø	flens flange	materiaal material
		(")		(mm)										
22	8M	85	1	56,02	54,65	-	62	95	43	105	10	-	a	d
24	8M	85	1	61,12	59,74	-	67	95	49	105	10	-	a	d
26	8M	85	1	66,21	64,84	-	73	95	50	105	10	-	a	d
28	8M	85	1	71,30	69,93	-	77	95	55	105	10	-	a	d
30	8M	85	1	76,39	75,02	-	84	95	60	105	10	-	a	d
32	8M	85	1	81,49	80,12	-	88	95	64	105	10	-	a	d
34	8M	85	1	86,58	85,21	-	94	95	70	105	10	-	a	d
36	8M	85	1	91,67	90,30	-	98	95	75	105	10	-	a	d
38	8M	85	1	96,77	95,39	-	104	95	80	105	10	-	a	d
40	8M	85	1	101,86	100,49	-	108	95	85	105	10	-	a	d
44	8M	85	1	112,05	110,67	-	121	95	96	105	10	-	a	e
48	8M	85	1	122,23	120,86	-	129	95	104	105	10	-	a	e
56	8M	85	1	142,60	141,23	-	149	95	107	105	10	-	a	e
60	8M	85	1	152,79	151,42	-	158	95	132	105	10	-	a	e
64	8M	85	8	162,97	161,60	137	168	95	100	95	-	-	a	e
72	8M	85	8	183,35	181,97	158	191	95	110	95	-	-	a	e
80	8M	85	9	203,72	202,35	179	-	95	110	95	-	-	b	e
84	8M	85	9	213,90	212,53	190	-	95	110	95	-	-	b	e
90	8M	85	10	229,18	227,81	204	-	95	110	95	-	-	b	e
112	8M	85	11	285,21	283,83	260	-	95	110	95	-	19	b	e
144	8M	85	11	366,69	365,32	342	-	95	120	95	-	19	b	e
168	8M	85	11	427,80	426,42	403	-	95	120	95	-	19	b	e
192	8M	85	11	488,92	487,54	465	-	95	130	95	-	19	b	e

a = incl. / with	b = excl. / without	d = staal / steel	e = gietijzer / cast iron
------------------	---------------------	-------------------	---------------------------

Profiel - 14M

Profile - 14M



aantal tanden number of teeth	steek pitch	riem-breedte belt width	type	D <sub>p</sub> R Ø	S Ø	U Ø	e Ø	W	H Ø	Y	Z	d Ø	flens flange	materiaal material
		(")		(mm)										
28	14M	40	1	124,78	121,98	-	134	54	100	69	15	-	a	e
29	14M	40	1	129,23	126,44	-	134	54	107	69	15	-	a	e
30	14M	40	1	133,69	130,90	-	142	54	107	69	15	-	a	e
32	14M	40	1	142,60	139,81	-	150	54	114	69	15	-	a	e
34	14M	40	1	151,51	148,72	-	158	54	122	69	15	-	a	e
36	14M	40	1	160,43	157,63	-	166	54	128	69	15	-	a	e
38	14M	40	1	169,34	166,55	-	177	54	141	69	15	-	a	e
40	14M	40	1	178,25	175,46	-	186	54	148	69	15	-	a	e
44	14M	40	2	196,08	193,28	154	209	54	120	69	15	-	a	e
48	14M	40	2	213,90	211,11	172	216	54	135	69	15	-	a	e
56	14M	40	2	249,56	246,76	207	261	54	135	69	15	-	a	e
60	14M	40	2	267,38	264,59	225	274	54	135	69	15	-	a	e
64	14M	40	2	285,21	282,41	243	288	54	135	69	15	-	a	e
72	14M	40	5	320,86	318,06	279	-	54	135	69	15	19	b	e
80	14M	40	5	356,51	353,71	314	-	54	135	69	15	19	b	e
84	14M	40	5	374,33	371,54	332	-	54	135	69	15	19	b	e
90	14M	40	5	401,07	398,28	359	-	54	135	69	15	19	b	e
112	14M	40	5	499,01	496,32	457	-	54	135	69	15	19	b	e
144	14M	40	5	641,71	638,92	600	-	54	135	69	15	19	b	e
28	14M	55	1	124,78	121,98	-	134	70	100	85	15	-	a	e
29	14M	55	1	129,23	126,44	-	134	70	107	85	15	-	a	e
30	14M	55	1	133,69	130,90	-	142	70	107	85	15	-	a	e
32	14M	55	1	142,60	139,81	-	150	70	114	85	15	-	a	e
34	14M	55	1	151,51	148,72	-	158	70	122	85	15	-	a	e
36	14M	55	1	160,43	157,63	-	166	70	128	85	15	-	a	e
38	14M	55	1	169,34	166,55	-	177	70	141	85	15	-	a	e
40	14M	55	1	178,25	175,46	-	186	70	148	85	15	-	a	e
44	14M	55	2	196,08	193,28	154	209	70	120	85	15	-	a	e
48	14M	55	8	213,90	211,11	172	216	70	135	70	-	-	a	e
56	14M	55	8	249,56	246,76	207	261	70	135	70	-	-	a	e
60	14M	55	8	267,38	264,59	225	274	70	135	70	-	-	a	e
64	14M	55	8	285,21	282,41	243	288	70	135	70	-	-	a	e
72	14M	55	11	320,86	318,06	279	-	70	135	70	-	19	b	e
80	14M	55	11	356,51	353,71	314	-	70	135	70	-	19	b	e
84	14M	55	11	374,33	371,54	332	-	70	135	70	-	19	b	e
90	14M	55	11	401,07	398,28	359	-	70	135	70	-	19	b	e
112	14M	55	11	499,01	496,32	457	-	70	135	70	-	19	b	e
144	14M	55	11	641,71	638,92	600	-	70	135	70	-	19	b	e

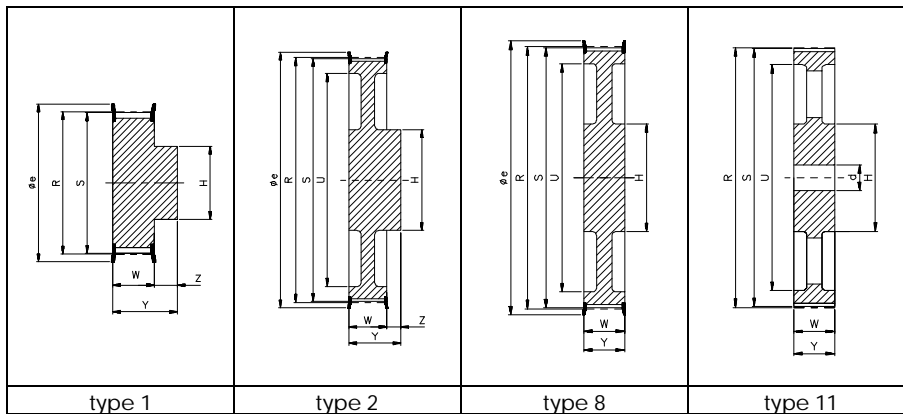
a = incl. / with

b = excl. / without

e = gietijzer / cast iron

Profiel - 14M

Profile - 14M



aantal tanden number of teeth	steek pitch	riem-breedte belt width	type	D <sub>p</sub> R Ø	S Ø	U Ø	e Ø	W	H Ø	Y	Z	d Ø	flens flange	materiaal material
		(")		(mm)										
28	14M	85	1	124,78	121,98	-	134	102	100	117	15	-	a	e
29	14M	85	1	129,23	126,44	-	134	102	107	117	15	-	a	e
30	14M	85	1	133,69	130,90	-	142	102	107	117	15	-	a	e
32	14M	85	1	142,60	139,81	-	150	102	114	117	15	-	a	e
34	14M	85	1	151,51	148,72	-	158	102	122	117	15	-	a	e
36	14M	85	1	160,43	157,63	-	166	102	128	117	15	-	a	e
38	14M	85	1	169,34	166,55	-	177	102	141	117	15	-	a	e
40	14M	85	1	178,25	175,46	-	186	102	148	117	15	-	a	e
44	14M	85	1	196,08	193,28	-	209	102	169	117	15	-	a	e
48	14M	85	1	213,90	211,11	-	216	102	186	117	15	-	a	e
56	14M	85	8	249,56	246,76	207	261	102	150	102	-	-	a	e
60	14M	85	8	267,38	264,59	225	274	102	150	102	-	-	a	e
64	14M	85	8	285,21	282,41	243	288	102	150	102	-	-	a	e
72	14M	85	11	320,86	318,06	279	-	102	150	102	-	19	b	e
80	14M	85	11	356,51	353,71	314	-	102	150	102	-	19	b	e
84	14M	85	11	374,33	371,54	332	-	102	150	102	-	19	b	e
90	14M	85	11	401,07	398,28	359	-	102	150	102	-	19	b	e
112	14M	85	11	499,01	496,32	457	-	102	150	102	-	19	b	e
144	14M	85	11	641,71	638,92	600	-	102	150	102	-	19	b	e
28	14M	115	1	124,78	121,98	-	134	133	100	148	15	-	a	e
29	14M	115	1	129,23	126,44	-	134	133	107	148	15	-	a	e
30	14M	115	1	133,69	130,90	-	142	133	107	148	15	-	a	e
32	14M	115	1	142,60	139,81	-	150	133	114	148	15	-	a	e
34	14M	115	1	151,51	148,72	-	158	133	122	148	15	-	a	e
36	14M	115	1	160,43	157,63	-	166	133	128	148	15	-	a	e
38	14M	115	1	169,34	166,55	-	177	133	141	148	15	-	a	e
40	14M	115	1	178,25	175,46	-	186	133	148	148	15	-	a	e
44	14M	115	1	196,08	193,28	-	209	133	169	148	15	-	a	e
48	14M	115	1	213,90	211,11	-	216	133	186	148	15	-	a	e
56	14M	115	2	249,56	246,76	207	261	133	150	148	15	-	a	e
60	14M	115	8	267,38	264,59	225	274	133	150	133	-	-	a	e
64	14M	115	8	285,21	282,41	243	288	133	150	133	-	-	a	e
72	14M	115	11	320,86	318,06	279	-	133	150	133	-	19	b	e
80	14M	115	11	356,51	353,71	314	-	133	150	133	-	19	b	e
84	14M	115	11	374,33	371,54	332	-	133	150	133	-	19	b	e
90	14M	115	11	401,07	398,28	359	-	133	150	133	-	19	b	e
112	14M	115	11	499,01	496,32	457	-	133	150	133	-	19	b	e
144	14M	115	11	641,71	638,92	600	-	133	150	133	-	19	b	e

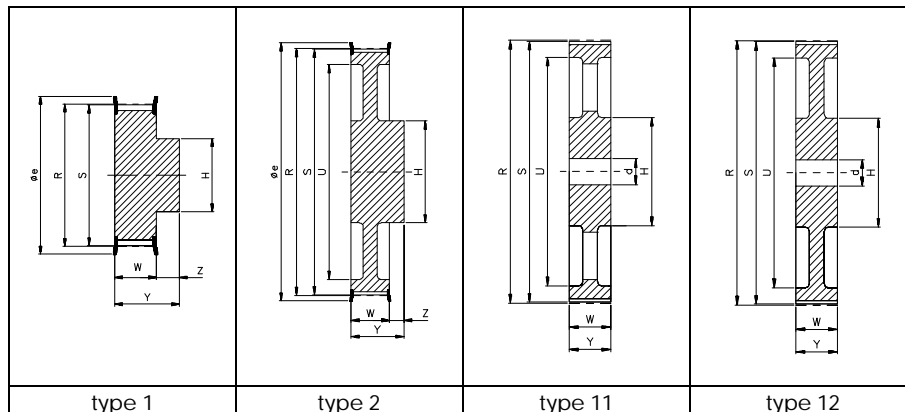
a = incl. / with

b = excl. / without

e = gietijzer / cast iron

## Profiel - 14M

## Profile - 14M



aantal tanden number of teeth	steek pitch	riem-breedte belt width	type	$D_p$ R Ø	S Ø	U Ø	e Ø	W	H Ø	Y	Z	d Ø	flens flange	materiaal material
		(")		(mm)										
28	14M	170	1	124,78	121,98	-	134	187	100	202	15	-	a	e
29	14M	170	1	129,23	126,44	-	134	187	107	202	15	-	a	e
30	14M	170	1	133,69	130,90	-	142	187	107	202	15	-	a	e
32	14M	170	1	142,60	139,81	-	150	187	114	202	15	-	a	e
34	14M	170	1	151,51	148,72	-	158	187	122	202	15	-	a	e
36	14M	170	1	160,43	157,63	-	166	187	128	202	15	-	a	e
38	14M	170	1	169,34	166,55	-	177	187	141	202	15	-	a	e
40	14M	170	1	178,25	175,46	-	186	187	148	202	15	-	a	e
44	14M	170	1	196,08	193,28	-	209	187	169	202	15	-	a	e
48	14M	170	1	213,90	211,11	-	216	187	186	202	15	-	a	e
56	14M	170	2	249,56	246,76	207	261	187	160	202	15	-	a	e
60	14M	170	2	267,38	264,59	225	274	187	160	202	15	-	a	e
64	14M	170	2	285,21	282,41	243	288	187	180	202	15	-	a	e
72	14M	170	12	320,86	318,06	279	-	187	180	187	-	19	b	e
80	14M	170	12	356,51	353,71	314	-	187	180	187	-	19	b	e
84	14M	170	11	374,33	371,54	332	-	187	180	187	-	19	b	e
90	14M	170	11	401,07	398,28	359	-	187	180	187	-	19	b	e
112	14M	170	11	499,01	496,32	457	-	187	200	187	-	19	b	e
144	14M	170	11	641,71	638,92	600	-	187	220	187	-	19	b	e

a = incl. / with	b = excl. / without	e = gietijzer / cast iron
------------------	---------------------	---------------------------